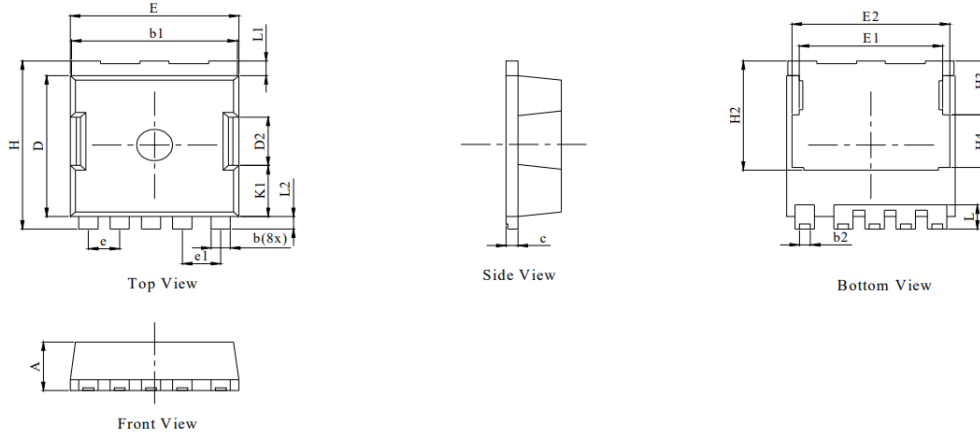




## STOLL 系列产品封装外形尺寸图

### Package Outlines



### NOTES:

1. Dimension and tolerance per ASME Y14.5M, 1994.
2. All dimensions in millimeter.
3. Dimensions do not include burrs or mold flash.

DIM.	MILLIMETER		
	MIN.	NOM.	MAX.
A	2.20	2.30	2.40
b	0.70	0.80	0.90
b1	6.80	6.90	7.00
b2	0.40	0.45	0.50
c	0.40	0.50	0.60
D	6.50	6.70	6.90
D2		2.30 (REF)	
E	6.80	7.00	7.20
E1		5.96 (REF)	
E2		6.56 (REF)	
e		1.30 (BSC)	
e1		1.60 (BSC)	
H	7.80	8.00	8.20
H2		5.20 (REF)	
H3		2.57 (REF)	
H4		2.50 (REF)	
K1		2.43 (REF)	
L	1.05	1.15	1.25
L1		0.70	
L2		0.60	

### Recommended Soldering Footprint

